

# PM/PL Series

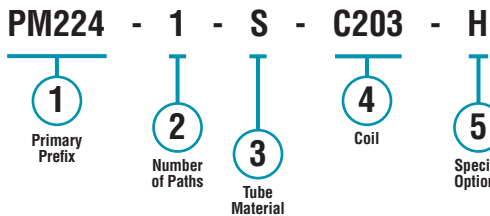
- ▶ 2-Way Normally Open/Closed; 3-Way Directional
- ▶ MOPD: 15 PSIG to 30 PSIG (1.03 bar to 2.07 bar)
- ▶ As Low as 2.8 Watts; Based on Configuration

These pinch valves offer 2-way Normally Open (NO) and Closed (NC), or 3-way Directional Control operation. While sharing similar configurations with the PM Series, the PL Series features larger tubing sizes. Their design ensures that only the inside of the tubing contacts the fluid.



## How To Order

Use the **Bold** characters from the choices listed on the following page to construct a product code.



**Example:** PM224-1-S-C203-H

2-Way N.O. solenoid valve with a single path and silicone tube, optional mounting holes, and operating at 12 VDC.

## Part Prefix Table ①

	Tube Size		Min Pressure (psig)	Max Pressure (psig)	① Primary Prefix
	I.D. (inches)	O.D. (inches)			
2-WAY N.C.	0.01	0.093	vacuum	30	<b>PM200</b>
	0.023	0.093	vacuum	20	<b>PM201</b>
	1/32	3/32	vacuum	15	<b>PM202</b>
	0.05	0.134	vacuum	15	<b>PM203</b>
	1/16	1/8	0	15	<b>PM204</b>
	1/32	3/32	vacuum	25	<b>PL202</b>
	1/16	1/8	0	25	<b>PL204</b>
	1/16	3/16	vacuum	25	<b>PL205</b>
	1/8	1/4	vacuum	20	<b>PL206</b>
	2-WAY N.O.	0.01	0.093	vacuum	30
0.023		0.093	vacuum	20	<b>PM221</b>
1/32		3/32	vacuum	15	<b>PM222</b>
0.05		0.134	vacuum	15	<b>PM223</b>
1/16		1/8	0	15	<b>PM224</b>
1/32		3/32	vacuum	25	<b>PL222</b>
1/16		1/8	0	25	<b>PL224</b>
1/16		3/16	vacuum	25	<b>PL225</b>
1/8		1/4	vacuum	20	<b>PL226</b>
3-WAY Directional Control		0.023	0.093	vacuum	20
	1/32	3/32	vacuum	15	<b>PM342</b>
	0.05	0.134	vacuum	15	<b>PM343</b>
	1/16	1/8	0	15	<b>PM344</b>
	1/32	3/32	vacuum	25	<b>PL342</b>
	1/16	1/8	0	25	<b>PL344</b>
	1/16	3/16	vacuum	25	<b>PL345</b>
	1/8	1/4	vacuum	20	<b>PL346</b>

### ② Number of Paths

- 1 = Single Path
- 2 = Dual Path (Prefixes PLXX2 and PLXX4 only)
- 4 = 4 (Prefix PL222 only)
- 6 = 6 (Prefix PL222 only)
- 8 = 8 (Prefix PL222 only)

### ③ Tube Material

- S = Silicone
- C = C-Flex (Not available in Prefixes XXXX0, XXXX3, XXXX7)

### ④ Coil

- C203 = 12 VDC
- C204 = 24 VDC

### ⑤ Special Options

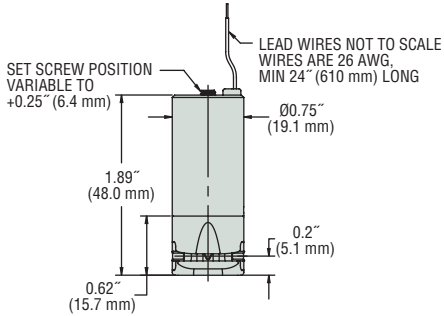
- Q = Quiet Operation
- F = Position Feedback Sensor
- H = Bottom Mounting Holes
- L = Low Power Consumption

\* Standard selection; will be used unless otherwise specified.

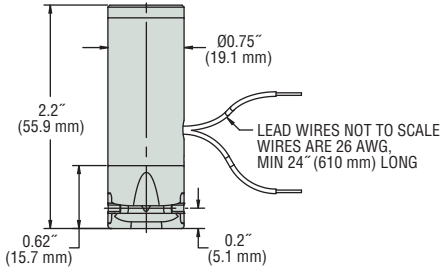
**Dimensions**

PM Series – 1/8" O.D. Tubing, Max.

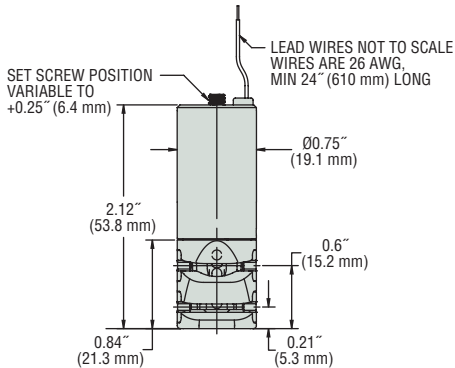
**2-Way N.C.**



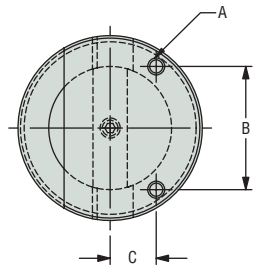
**2-Way N.O.**



**3-Way**



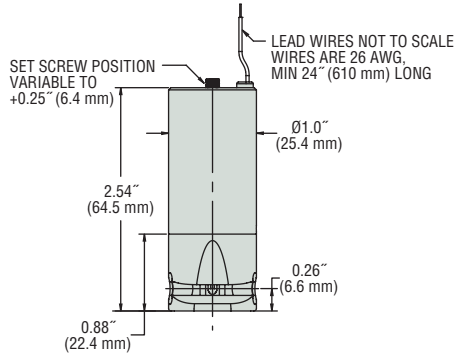
**Optional Mounting Holes**



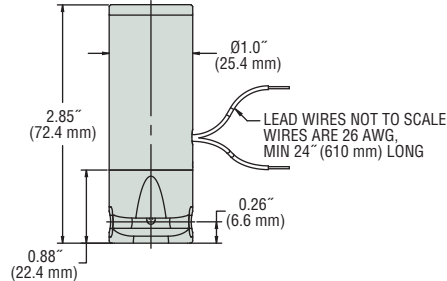
Valve Series	"A" Thread	"B" Center	"C"
PM20 / PM22	#2-56	0.5" (12.7 mm)	0.125" (3.2 mm)
PM34			0.132" (3.4 mm)
PL20 / PL22 / PL34	#4-40	0.687" (17 mm)	0.218" (6 mm)

PL Series – 1/4" O.D. Tubing, Max.

**2-Way N.C.**



**2-Way N.O.**



**3-Way**

